

REFILL INSTRUCTIONS FOR ALL CANON CARTRIDGES

BLACK AND COLOR

TABLE OF CONTENTS

INTRO.....1

BCI-21 & BCI-24 BLACK..... 2

BCI-21 & BCI-24 COLOR.....3

PG-40 BLACK.....4

CL-41 COLOR.....5

BCI-3, BCI-5, BCI-6 BLACK.....6

BCI-3, BCI-5, BCI-6 COLOR.....same page...6

PGI 5BK & CLI 8 COLOR 7

CONTACT AND RE-ORDER INFO8

TROUBLESHOOTING.....9

PERFORM ALL OF THE FOLLOWING STEPS OVER THE SINK

HELPFUL HINTS TO REMEMBER AS REFILLING

IN REGARDS TO THE SYRINGE PROVIDED:

RINSE OUT THE SYRINGE AFTER EACH COLORESPECIALLY THE BLACK.****

SHOOT OUT ALL WATER BEFORE DRAWING UP NEW COLOR.

INSIDE OF THE SYRINGE DOES NOT HAVE TO BE “BONE DRY.”

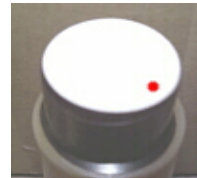
Your bottles of ink will have electrical tape on the caps when you receive them. One little trick is to not remove the cap but melt a little hole into the top using the end of a heated paperclip.

Melt the hole, “Off center.”

SEE FIGURE >>>>>

By doing this, all you have to do is stick the needle thru the hole and

tilt the bottle a little to draw up the ink. When done, you can place a piece of tape over the hole till next time.



REFILL INSTRUCTIONS FOR CANON
BCI-21/ BCI-24 BLACK

DO NOT MODIFY THE CARTRIDGE IN ANYWAY!!!!

READ THESE DIRECTIONS BEFORE RESELLING.

1) Turn the black cartridge upside down where the felt pad on the bottom is facing up towards you.

SEE FIGURE 1 > > >



2) Using the syringe, draw up **2 cc's** of the ink.

3) HOLD THE NEEDLE ABOUT 1/16" OF AN INCH **ABOVE SPONGE**.

(DO NOT INSERT THE NEEDLE INTO THE SPONGE)

4) Now, over the sink, slowly inject the ink **A FEW DROPS AT A TIME**. Pause every few seconds so that the sponge can absorb the ink. You can see the ink as it is pulled down into the chamber. It will absorb fast **AT FIRST THEN SLOW DOWN**. This is an indication that the sponge inside is getting full.

VERY IMPORTANT: WHILE INJECTING THE INK INTO THE PAD, WATCH THE BOTTOM OF THE CARTRIDGE. IF YOU SEE A DROP OR TWO OF INK.....STOP!!! ITS FULL OR OVER FULL.

5) Turn the cartridge right side up. Make sure you are over the sink!!! Look to see if any ink drops form on the pad. If so, take a paper towel and fold it into quarters like a handkerchief. Hold it against the pad like a rubber stamp and let a little ink come out on the paper towel. It should take more than 15 to 20 seconds to do this. When it appears as though no more ink drops will appear, your done, place back into your printer.

NEVER PLACE A DRIPPING CARTRIDGE BACK INTO PRINTER.

Soon, you will become a pro and not have to worry about drips. You may use immediately after you have finished refilling the cartridge **and** have determined that **NO** ink will be leaking. No need to rinse needle. The needle you use for black ink should **ALWAYS** be used for black ink. Never leave ink in the needle.

THE LAST PAGE DOES NOT APPLY TO THIS CARTRIDGE

REFILL INSTRUCTIONS FOR CANON

BCI-21/ BCI-24 **COLOR**

DO NOT MODIFY THE CARTRIDGE IN ANYWAY!!!!

PERFORM ALL STEPS OVER SINK

When done refilling a certain color, simply rinse the syringe out with water and choose your next color. Syringe does **NOT** have to be bone dry before refilling with ink. Just make sure there is no accumulated water in it.



1) Turn the **COLOR** INKTANK upside down where the felt pads on the bottom are facing up towards you. **YOU WILL SEE THREE COLOR PADS. THE PROCESS FOR REFILLING THE COLOR IS THE VERY SAME AS THE BLACK EXCEPT YOU WILL REPEAT IT FOR EACH COLOR.**

2) **DRAW UP NO MORE THAN 2cc'S OF THE COLOR YOU WANT TO REFILL.**

3) Now, over the sink, Slowly inject the ink..... **A FEW DROPS AT A TIME.**

(DO NOT INSERT THE NEEDLE INTO THE SPONGE)

HOLD IT A FEW MILLIMETERS ABOVE

Pause every few seconds so that the sponge can absorb the ink. You can see the ink as it is pulled down into the chamber. **IT WILL ABSORB FAST AT FIRST THEN SLOW DOWN. THIS "SLOW DOWN" MEANS IT IS GETTING FULL. VERY IMPORTANT: WHILE INJECTING THE INK INTO THE PAD, WATCH THE BOTTOM OF THE CARTRIDGE. IF YOU SEE A DROP OR TWO OF INK.....STOP!!! ITS FULL OR OVER FULL.**

4) Turn the cartridge right side up. Make sure you are over the sink!!! Look to see if any ink drops form on the pad. If so, take a paper towel and fold it into quarters like a handkerchief. Hold it against the pad like a rubber stamp and let a little ink come out on the paper towel. It should take more than 15 to 20 seconds to do this. When it appears as though no more ink drops will appear, your done, place back into your printer. 3

NEVER PLACE A DRIPPING CARTRIDGE BACK INTO PRINTER.

Soon, you will become a pro and not have to worry about drips. You may use immediately after you have finished refilling the cartridge **and** have determined that **NO** ink will be leaking.

THE LAST PAGE DOES NOT APPLY TO THIS CARTRIDGE

**Ink refill instructions for Canon
PG-40 BLACK..... #40**

**1) Place cartridge on some paper towels by the sink where you can tolerate a spill.
(Be careful as to NOT let the printhead touch the paper towel as the paper towel will soak up the ink from inside the cartridge.)**

Figure 1 >>>>



2. Using just a simple paperclip, heat the end well and place it down thru the dimple just below the "B". Go easy as the plastic is very thin.

(See figure 1)

3. Fill the syringe with 15 ml. of black ink.

4. Push needle through the hole all the way in / down. You will feel a slight resistance. It is the sponge inside the cartridge which is normal.

5. Very S-L-O-W-L-Y inject ink into hole.

Should take about 15 seconds to inject the 15ml of ink.

6. Watch for any ink coming up from where the needle is.

If you see some, it means one of two things:

6a) Cartridge is full

6b) Injecting ink to fast....slow down.

7. When finished, put a small piece of tape over.....

(JUST THE SMALL HOLE YOU DRILLED)

8. Replace the cartridge and run 1 - 3 cleaning cycles as per printer instructions.

CHECK FOR LEAKS....NEVER PLACE A "LEAKING" CARTRIDGE INTO PRINTER

Note: Each time the cartridge is removed from the printer an "empty cartridge" message appears and a blinking amber light will come on, on the printer. Holding the paper feed button down for 3-5 sec. will allow you to override the counter.

REFILL INSTRUCTIONS FOR THE CANON CL-41 COLOR

1. The filler pads are located under the top. **REMOVE** the label and you will see little dimples in the plastic. You are going to melt a little hole thru three of these dimples.

Use a simple heated paperclip to do this.

Be carefull as the top plastic is very thin.

See figure to right > > >

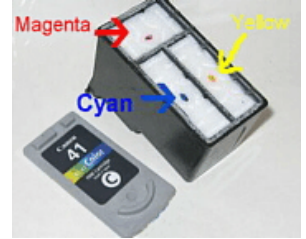


FIGURE TO THE RIGHT SHOWS THE TOP REMOVED. You do not have to remove the top. You are going to go thru it.

2. **PERFORM THE NEXT SEVERAL STEPS OVER THE SINK**

FOLD A PAPER TOWEL INTO QUARTERS LIKE A HANDKERCHIEF. HOLD TOWEL AGAINST THE PRINTHEAD AS YOU ARE REFILLING EACH COLOR. A FEW DROPS OF INK WILL FORM ON THE PRINTHEAD AS YOU ARE REFILLING.

THIS IS NORMAL BUT YOU DO NOT WANT THE DROPS TOUCHING THE OTHER COLORS ON THE PRINTHEAD.

3. With the syringe provided, draw back only 3cc's of the color ink into the syringe. Insert the syringe into the sponge all the way down.

*****ONE IMPORTANT NOTE HERE BEFORE REFILLING*****

IF YOU NOTICE, THE SPONGES ARE ALL WHITE. THEY ARE SUPPOSE TO STAY WHITE. FILLING A COLOR ABOVE THE WHITE SPONGE IS CONSIDERED TO BE "OVERFILLED" AND NOT GOOD!!!

4. **SLOWLY** inject the ink. As your injecting, watch carefully in the middle and around the sides of the sponge for the ink level rising. The first sign of seeing ink coming up.....**STOP....ITS FULL!!**

5. After refilling, there is **NO** need to cover the fill holes. In fact, it would be bad to do so. The cartridge must be able to ,"Breath."

NEVER PLACE A LEAKING CARTRIDGE INTO THE PRINTER

Note: Each time the cartridge is removed from the printer an "empty cartridge" message appears and a blinking amber light will come on, on the printer. Holding the paper feed button down for 3-5 sec. will allow you to override the counter.

**REFILL INSTRUCTIONS FOR THE CANON
BCI-3, BCI-5, BCI-6 BLACK
PERFORM FOLLOWING STEPS OVER SINK !!!**

COLOR CARTS ARE FILLED THE SAME WAY BUT
DIFFERENT QTY OF INK See below

1) Tape over the exit port hole. Electrical tape works well.

2) On the top of your cartridge you will see a small circle with the word "PUSH". Peel back this portion of the cartridge label. You will find a small hole in the top of the cartridge. There is a little rubbery ball plugging this hole.

3) Using a paperclip heat the end up and use it to drill a small hole.

Note: When this is done, the air seal is broken and some ink may leak out of the cartridge! Be prepared for this to happen, IT IS NORMAL!

4) Draw some ink into the syringe depending which cartridge your refilling.

The BCI-3 BLACK HOLDS ABOUT 20cc's

The BCI-5 & BCI-6 BLACK HOLDS ABOUT 12cc's

**REFILL PROCESS IS THE SAME FOR THE COLOR CARTRIDGES
COLOR CARTS ONLY HOLD ABOUT 6cc's OF EACH COLOR**

5) With the ink outlet facing the floor, and the fill hole on top, raise the end of the cartridge with the outlet hole on it until the cartridge is tilted about 45 degrees. Insert the needle into the fill hole, and inject as much of the ink as you can into the cartridge. It will take a little while for the sponge to soak up the ink. Stop before it spills out the fill hole or the outlet hole. LEAVE A LITTLE SPACE.

6) Seal the fill hole using a DROP OF HOT GLUE, OR ELECTRICAL TAPE.

This seal must be airtight, or your cartridge will have a slow leak.

Remove the tape from the exit port.

7) Set the cartridge on something (ie: block of wood) so that the outlet hole is off the edge, allowing any excess ink to drip onto a paper towel.

NEVER PLACE A LEAKING CARTRIDGE INTO PRINTER

Ink refill instructions for Canon PGI 5BK & CLI 8 Color ink cartridge

1. Cover the outlet hole(s) with Aluminum or Vinyl Tape to prevent ink loss during refilling

2. With a paperclip, super heat the end and melt a hole into the top of the cartridge as seen on the right.

3. Attach the needle to the syringe and fill with the correct color ink.

4. Slowly inject approximately

13 ml. FOR BLACK OR

6 ml FOR COLOR

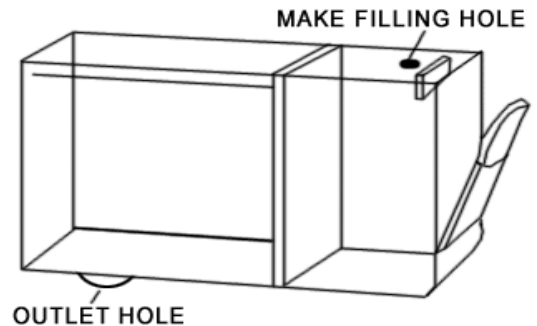
slowly into the filling hole until the chamber is almost full. Unused ink may be returned to the bottle.

5. Seal the hole with hot glue or electrical tape. Nothing else will work. You need to get a good air-tight seal or you will develop a leak. You also need to get the seal flush with the surface. Ordinary scotch tape will not give an airtight seal. Some ink will leak from the print head.

6. Remove the tape from the outlet hole

7. Set above a paper towel for an hour as a drip precaution. In time, you will know in just a few minutes whether to Expect a few drips until the vacuum stabilizes. If it looks like the dripping doesn't stop, then the filling hole has an air leak and is not sealed well.

8. After the dripping has stopped, replace the cartridge. This cartridge has a chip. When you reinsert the cartridge back into the printer you will get some pop up boxes asking you questions about using the cartridge again. Just answer all the questions until your cartridge is accepted. and run 1 - 3 cleaning cycles as per printer instructions.



THAT'S IT YOUR DONE AND WELL ON YOUR WAY TO SAVING MONEY!!!!

HELPFUL HINT TRY TO KEEP THE CARTRIDGE “TOPPED OFF” WITH EACH COLOR RATHER THAN SUCKING IT DRY THEN REFILLING. THE CARTRIDGES WILL LAST LONGER. IT ONLY TAKES ABOUT 3.5 CC’S OF EACH COLOR PER WEEK TO DO THIS.

SORRY, WE CANNOT ASSIST IN REFILLING THRU E-MAIL

WE ARE NOT LIABLE FOR ANY CONSEQUENTIAL DAMAGES TO PRINTERS / PERSONS OR PROPERTY INVOLVED IN USING or INSTALLING ANY ITEMS , REFILL KITS OR CARTRIDGES PURCHASED FROM USAINK. IT IS UNDERSTOOD THAT BUYER/BIDDER ACCEPT ALL RESPONSIBILITIES.

**WHEN YOU RUN OUT OF INK, E-MAIL US DIRECTLY
YOUR ENTITLED TO A DISCOUNT**

E-MAIL : USAINK@GRANDECOM.NET

WEBSITE : www.USAINK.com

Remember, you can simply EMAIL us Contact@usaink.com

When you run out of ink. We'll have special pricing for you!!!

YOU WILL ONLY NEED TO PERFORM THE FOLLOWING STEPS HERE IF YOU ARE
HAVING TROUBLE PRINTING AFTER REFILLING

**INSTRUCTIONS BELOW DO NOT APPLY TO THE CANON
BCI-3, BCI-5, BCI-6, BCI-21 , BCI-24 BLACK OR COLOR**

REFILLING YOUR CARTRIDGE THE FIRST TIME

Our mission is to save you money. To do that, you must "preserve" your cartridge in order for it to last over and over again thru the refilling process. The following steps have a 99% success rate for refilling your cartridge. They must be followed to the "T" in order to work. The following steps will only have to be done ONCE, (the first time you refill.)

Lets begin

It is best to NEVER let the cartridge drop below "half full" before refilling.

Keeping it "Topped off" will eliminate all of the problems your facing now.

In the past, you bought a new cartridge, used it till it was empty then thru it away and bought another. That has changed now, you want to save money by making the cartridge you have as long as possible. Therefore, you must take a couple of steps to preserve the ONE cartridge you have.

There are two reasons for this:

- The first is because the ink that is in inside the cartridge acts as a coolant to the circuitry of the cartridge much like the water in the radiator of your car. Believe it or not, when the cartridge is printing it is producing heat that will burn out the circuitry if it is not cooled. The result is that the cartridge will only last one or two times then burn out. In most cases this would be no big deal as you would then turn around and purchase a new cartridge. But you are now refilling the same cartridge over and over again and want it to last as long as possible. Keep it "Topped off".....ie, keep the ink level high.
- The second reason is that if you let the cartridge go empty before refilling, air will develop in the printhead and not allow the ink to freely flow out of the printhead after refilling. This is the single biggest reason why your probably having problems now after refilling your cartridge and it is not printing well.....lines going thru the fonts or no ink at all coming out.

Don't fret....the problem can be fixed easily.

First place just a little water into a sauce pan....about a 1/4 inch. Bring it to a hard boil and place a lid on the pan so the steam can escape thru the top. With the cartridge "printhead facing down", place the cartridge over the steam about 7" to 9" above the lid. Hold it there about 20 seconds.

Remove the cartridge and have a paper towel folded into quarters like a folded handkerchief. When taken out of the steam press and HOLD the cartridge printhead against the paper towel like a rubber stamp for about 5 seconds. When doing this, keep the cartridge "right-side-up." Do not hold it tilted or on its side.

Repeat the steam two or three times for the same time about 20 seconds each time.

Each time you place the cartridge against the paper towel, you will notice the ink you get on the paper towel will increase in intensity. This is a good thing. You see, the steam is doing several things.

Purging the air that was trapped during refilling, and removing the dried ink that is in the printhead blocking your good ink you just placed into the cartridge.

Gently wipe the printhead off after your done with the steam and place back into the printer and run a couple of test pages. It should be printing fine now.

Here is a helpful hint:

After refilling your cartridge, don't go on vacation or not print for weeks on end. One thing about refilled cartridges is that they do not like to sit more than a couple of days without being used. After you have printed several test pages and a few other documents, its ok to let it sit for days on end. Feel free to call upon us if you still have trouble. There are a few other things you can do to assure success.

Thank you and enjoy saving your money!!